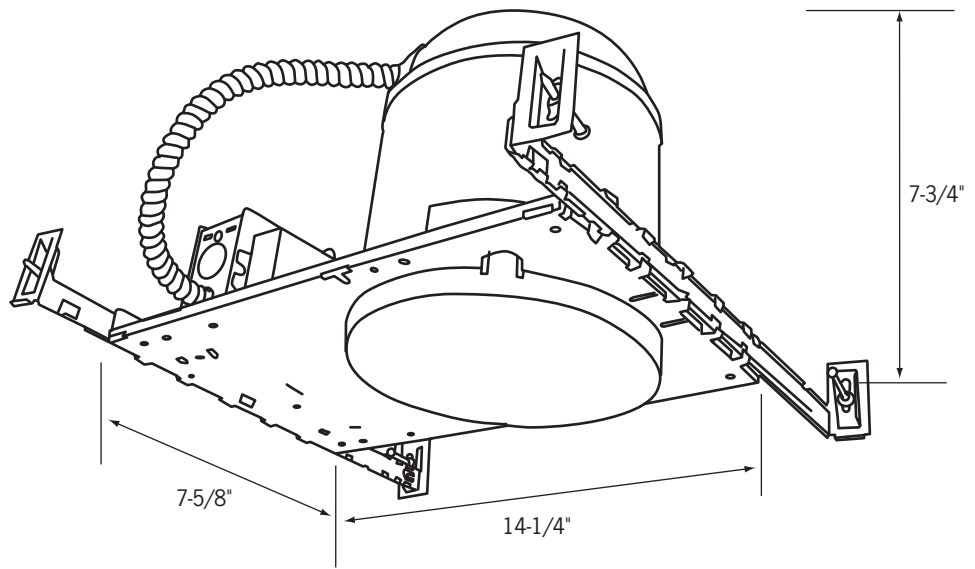


**RL6113VEMV-ICAT\***  
**RL6118VEMV-ICAT**  
**RL6126VEMV-ICAT**

**6" Energy Star Rated Compact  
 Fluorescent Recessed Housing**



**Ceiling Opening: 6-3/8"**

Catalog No. \_\_\_\_\_

Type \_\_\_\_\_

Project \_\_\_\_\_

**Specifications/Features**

**Housing/Mounting**

6-1/4" aperture size, vertical lamp position.  
 Flat plaster frame design.  
 Insulated ceiling, thermally protected housing.  
 Works in ceiling thickness from 1/2" – 1-3/4". For ceilings thicker than 3/4", field modification is required.  
 Spring-latch access plates.  
 Dual extension bar hangers adjustable for 16" and 24" center joints. Hanger bars may be extended to rest on T-bar ceilings.  
 High performance tested for StopAire™ according to ASTM-283.  
 \*RL6113VEMV-ICAT Housing is not Energy Star rated.

**Lamp/Electrical**

Electronic 120V ballast.  
 Vertical lamp position.  
**RL6113VEMV-ICAT:** (1) 13W, DTT/TTT GX24Q-1 Base, 120V (.13A)  
**RL6118VEMV-ICAT:** (1) 18W, DTT/TTT GX24Q-2 Base, 120V (.17A)  
**RL6118VEMV-ICAT:** (1) 26W, DTT/TTT GX24Q-3 Base, 120V (.24A)

Prewired junction box with convenient screwdriver pry-outs:  
 (4) 1/2", (1) 3/4" and (4) Romex knockouts.  
 Approved for through-branch (4-in/4-out) (8) #12 AWG wiring.

**Trims**

Choice of open baffled trim, specular reflector or black baffle trim with sandblasted glass lens.  
 Use only open trims with this housing.

**Warranty**

This fixture is covered for two (2) years by a full replacement guarantee after date of purchase.  
 Electronic ballast has a five (5) year warranty.

**Listing**

cULus listed. Listed for damp locations.  
 Energy Star qualified. \*RL6113VEMV-ICAT is not Energy Star rated.  
 State of California Title 24 compliant.  
 Conforms to Washington State Energy Code for low air infiltration.  
 New York State Energy Code compliant.

**Ordering Information**

Example Order:

Housing

**RL6113VEMV-ICAT\*** - 18W DTT/TTT Housing  
**RL6118VEMV-ICAT** - 18W DTT/TTT Housing  
**RL6126VEMV-ICAT** - 26W DTT/TTT Housing

\*RL6113VEMV-ICAT Housing is not Energy Star Qualified.

Trims

- CTR1903-P** - Scoop Wall Wash\*
- CTR161901V-B** - Black Baffle, Clear Upper Reflector, Black Trim
- CTR161901V-P** - Black Baffle, Clear Upper Reflector\*
- CTR161901V-WHT** - White Baffle, Clear Upper Reflector\*
- CTR161902V-CLR** - Specular Clear Reflector Trim\*
- CTR161902V-PL** - Matte Platinum Reflector Trim\*
- CTR161902V-WHT** - Specular White Reflector Trim\*
- CTR161903V-CLR** - Self-Flanged Specular Clear Reflector\*
- CTR161903V-PL** - Self-Flanged Matte Platinum Reflector\*
- CTR161905V-P** - Black Baffle Collar, Convex Frosted Lens, Clear Specular Upper Reflector\*
- CTR161913-P** - Fresnel Lens with Clear Reflector, Wet Location Listed\*
- CTR161916-P** - Drop Opal Glass Lens, Clear Reflector, Wet Location Listed\*
- CTR162615-P** - Flat Frosted Floating Glass Lens, White Reflector\*

\*Note: All trims have white plastic trim rings.

See "Trims for 6" Energy Star Rated Compact Fluorescent Recessed Housings" spec sheet for trim information and details.

