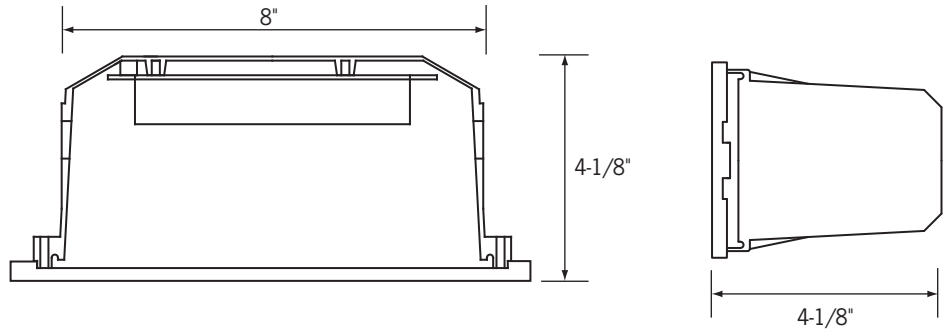


STP13 FP-(G, L, O)

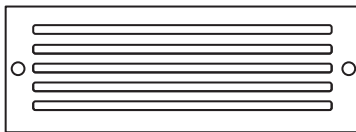
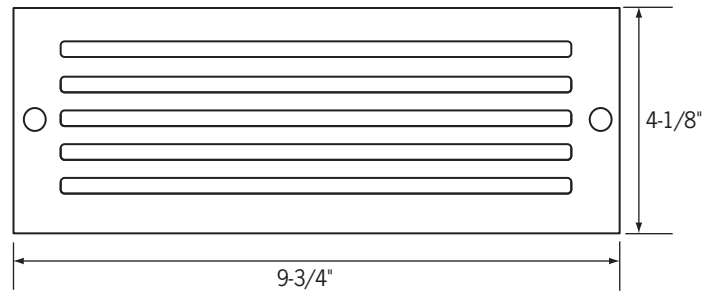
Compact Fluorescent Step Light
with
Grill, Open or Louver Faceplate



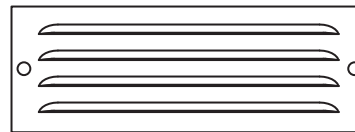
Catalog No. _____

Type _____

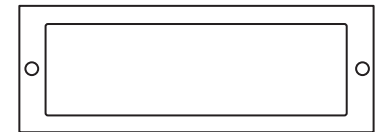
Project _____



Grill Face Plate (FP-G)



Louver Face Plate (FP-L)



Open Face Plate (FP-O)

Specifications/Features

Fixture/Mounting

8" x 3-1/2" aperture size.
Dry wall, block wall or concrete pour mounting.
Aluminum housing and cast aluminum face plates.
Designed for interior or exterior applications.
Through wiring with (2) 1/2" knock-outs
Tempered glass lens.
Tamper proof screws for trims.

Lamp/Electrical

(1) 4pin, 13W DTT or TRT, 4-PIN, G24Q-1 or GX24Q-1 base maximum lamp. Lamps sold separately.
Electronic, instant start, single wattage ballast with high power factor; 120V or 277V
Surge protected, meets ANSI C62.41.

Class P thermally protected by internal fuse in electronic ballast.
End of lamp life protection circuit
Sound rating: A
Maximum input (13W) current: @120V (.13A); @277V (.05A)

Trims

Cast aluminum face plates.
Three styles available: Grill, Louver and Open
Three color finishes: Black, White, and Silver

Warranty

This fixture is covered by Con-Tech's one (1) year full replacement guarantee after date of purchase.

Listing

cULus listed. Suitable for wet locations.

Ordering Information

Example Order: -

Fixture

STP13 - 13W, 120V Step Light Housing
STP13-27 - 13W, 277V Step Light Housing

Face Plate

FP-G - Grill Face Plate
FP-L - Louver Face Plate
FP-O - Open Face Plate

Finish

B - Black
S - Silver
W - White

