

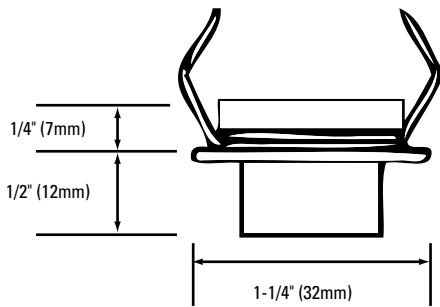
Catalog # _____

Type _____

Project _____



MT30121-PL



DIANA

Recessed LED Fixture

High output 2W LED with extra long life: 50,000 hours (dependent on the surrounding temperatures). Uses Lumileds LED.

No UV or IR Radiation.

Must be used with a 350mA secondary, Class II, constant current LED Driver.

Remote power, Class II wiring, serial connection only.

Fixture is milled from solid brass and finished in hand-polished chrome or platinum.

Opal reflector, 60° beam pattern.

Available in two color temperatures: 5500K and 3000K.

Height from Surface: 1/2" (12mm)

Fixture Diameter: 1-1/4" (32mm)

Circle Cut: 1-7/64" (28mm)

Max. Wall Thickness: 3/8" (10mm)

Depth Beyond Surface: Housing: 1/4" (7mm)

Spring: 3/4" (19mm)

Fixture is covered by one year replacement guarantee after date of purchase.

cULus listed. Suitable for damp locations. New York City Approved.

Example Order: -

Fixture

MT30121 - 5500K
MT30126 - 3000K

Finish

C - Polished Chrome
PL - Platinum



Catalog # _____

Type _____

Project _____

DIANA RECESSED LED PHOTOMETRICS

MT30121

60°, 5500K 1W LED Fixture

Candela Distribution

Cone of Light

Lamp: (1) 1W White LED with Clear Semi-Hemispherical Glass Integral Lens

Beam Angle (50%) : 64°

Field Angle (10%) : 80°

Spacing Criteria: 0.9

Test #: 59429

From 0	Lumens	From 0	Lumens
0	16	55	1
5	15	65	1
15	12	75	1
25	10	85	1
35	9	90	1
45	2		

Mounting Height (ft.)	Footcandles (FC)	Beam Diameter (ft.)
1'	16.3	0.9
2'	4.1	1.7
3'	1.8	2.6
4'	1.0	3.4
5'	0.7	4.3
6'	0.5	5.2

Note: Diameter shown is where fc value is half the fc at nadir.