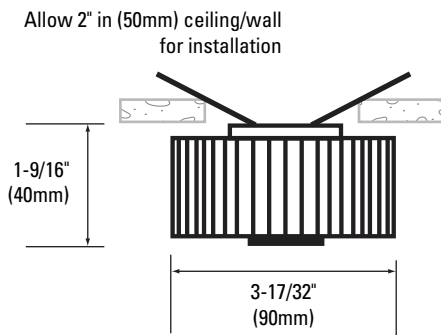


Catalog # \_\_\_\_\_

Type \_\_\_\_\_

Project \_\_\_\_\_



Side View

## TAIFUN

### Wall/Ceiling Sconce

Surface mounted accent luminaire constructed of extruded aluminum.

Curved aluminum fins provide decorative light striations.

May be wall or ceiling mounted.

Frosted front glass lens may be replaced with a colored lens for a punch of color.

Rated for 12 volts; for use with 12V remote transformer.

ADA Compliant.

Surface Adapter Plate (SA57-P) is needed for mounting sconce to 4" (102mm) outlet box.

Wall or Ceiling Opening: 2" (50mm)

Width: 3-17/32" (90mm).

Depth: 1-9/16" (40mm).

Lamp: (1) 20W max. T3, G4 base with transverse filament (included).

Fixture is covered by one year replacement guarantee after date of purchase.

cULus listed.

Example Order:

SWS7101

SA57-P

Fixture

SWS7101

Accessories

SA57-P - Cover Plate for Mounting Sconce to 4" Outlet Box