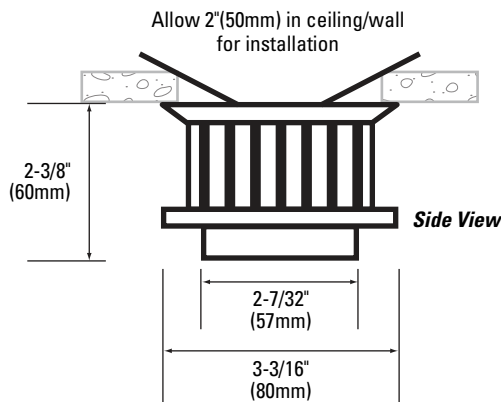


Catalog # \_\_\_\_\_

Type \_\_\_\_\_

Project \_\_\_\_\_



## PHANTOM

### Wall/Ceiling Sconce

Surface mounted accent luminaire constructed of extruded aluminum.

Aluminum beams provide decorative light striations.

May be wall or ceiling mounted.

Frosted front glass lens may be replaced with a colored lens for a punch of color.

Rated for 12 volts; for use with 12V remote transformer.

ADA Compliant.

Surface Adapter Plate (SA57-P) is needed for mounting sconce to 4" (102mm) outlet box.

Wall or Ceiling Opening: 2" (50mm)

Width: 3-3/16" (80mm).

Depth: 2-3/8" (60mm).

Lamp: (1) 20W max. T3, G4 base with axial filament (included).

Fixture is covered by one year replacement guarantee after date of purchase.

cULus listed.

Example Order:

SWS7102

SA57-P

#### Fixture

SWS7102

#### Accessories

SA57-P - Cover Plate for Mounting Sconce to 4" Outlet Box