

Catalog # _____

Type _____

Project _____



AXO

Wall Sconce

Multi-directional Halogen accent luminaire constructed of extruded aluminum utilizing two-piece joint construction.

Gyroscopic aiming (lamp can rotate in the horizontal and vertical planes) and fully lockable.

Mounts to standard electrical box with single gang opening.

Supplied with stainless steel, single gang (7/8" [22mm] center hole) wall plate; 2-3/4" (70mm) x 4-1/2" (114mm).

Fixture is mounted with two toggle bolts or screws, may be wall or ceiling mounted.

LET-75 120/12V electronic transformer included. Permanent short-circuit secondary protection.

Rated for 12 or 24 volts.

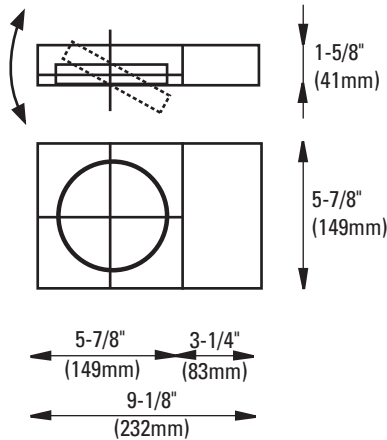
Height: 1-5/8" (41mm).

Width: 5-7/8" (149mm).

Depth: 9-1/8" (232mm).

Lamp: (1) 75W max. AR111 (12V), G53 base.

Fixture is covered by one year replacement guarantee after date of purchase. cULus listed. New York City Approved.



Example Order: -

Fixture

SWS7511

Finish

P - White

PL - Platinum

